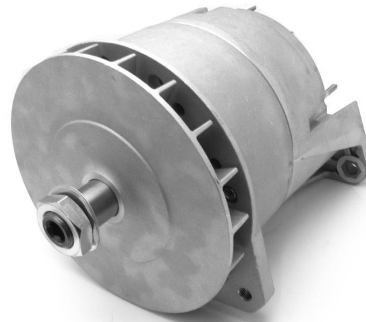




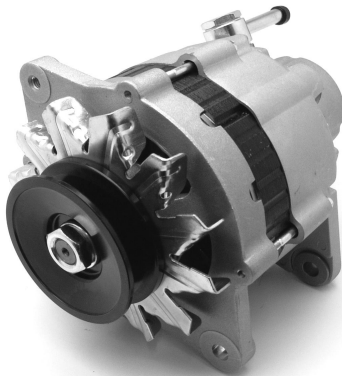
LEA0643
28V / 100A

Used On: MAN E, F, L, M 2000 Series 2000->> &
MAN TGA Series 1999->>
Replaces: Bosch 0-123-525-501,
MAN 51261017232, -34, -42, -47, -65



LEA0647
28V / 140A

Used On: Mercedes Benz 1800, 2500 &
3500 Series 1991-96
Mercedes Buses Citaro, Integro & Travego Series 1998->>
Replaces: Bosch 0-120-689-530, -535, -571
Mercedes Benz 001-154-50-02, -78-02



LEA0648
28V / 40A

Used On: Isuzu U-PR59, UU-NPS59 1990-98
Replaces: Hitachi LR240-405
Isuzu 8-97029-226-0



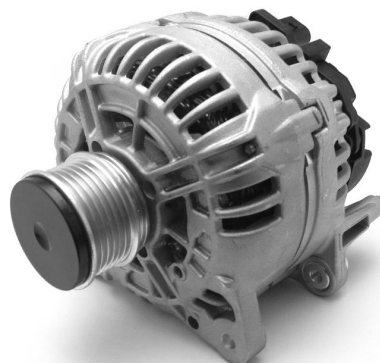
LEA0656
14V / 120A

Used On: Hyundai Coupe & Santa Fe 2.7 2002-09
Hyundai Trajet & Tuscon 2.7 2000-10
Replaces: Valeo 2655424
Hyundai 37300-37800



LEA0657
14V / 120A

Used On: Audi A4 1.9 Di, Tdi, Duo 1995-01
and also A6 Avant 1.9 Tdi 2000-05
Replaces: Valeo SG12B012, SG12B049
VAG 028-903-018K, -029A, -029E, -029S, -031A



LEA0658
14V / 180A

Used On: Seat Exeo St Sedan & Kombi 2.0 Tdi 2009->>
Replaces: Bosch 0-121-715-003
VAG 021903026G, -GX, -L, 03G903023, -E, -X

All non - Lucas Elektrik A. . numbers and names are for reference only.

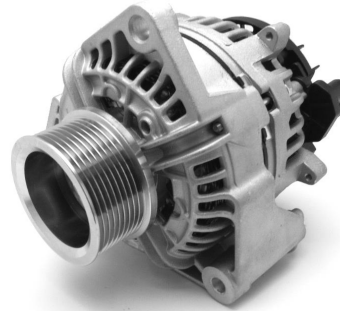
For further inquiries: e-mail:marketing@lucaselektrik.com Fax:+90 264 276 8771

www.lucaselektrik.com



LEA0660
14V / 120A

Used On: Mercedes Benz C, E, V 200 & 220 Series 1998-02
Replaces: Bosch 0-124-515-091
Mercedes Benz 012-154-54-02, 011-154-78-02, 010-154-96-02



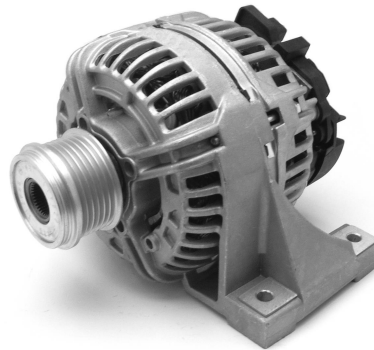
LEA0661
28V / 80A

Used On: Mercedes Benz Actros, Axor, Atego & Tourino Models 2003->>
Econic, Unimog, Citaro, Vario Models 2000->>
Replaces: Bosch 0-124-555-001
Mercedes Benz 0111542802, 0131542802, A013-154-28-02



LEA0662
14V / 70A

Used On: Carrier Transicold Kubota Engines
Replaces: Valeo A13N291
Carrier Transicold 30-011114-07, 30-60050-04, A702615A & Frigiking 7102937



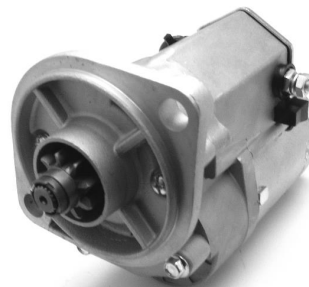
LEA0668
14V / 120A

Used On: Volvo S40, S60, S70, C70, V40 & V70 2.0, 2.3, 2.4 & 2.5 1995- 07
Replaces: Bosch 0-124-515-054
Volvo 8251071, -0, 8602276, -1, 9459092, -4



LES0323
24V / 4.5kW

CW / 11 Teeth
Used On: Hino Various Applications 1973-86
Replaces: Denso 028000-9140
Hino 28100-1090, -1090B, -1090C, -1442, -1443,
Sawafuji 0330-402-0012, -0350-552-0014, -0061



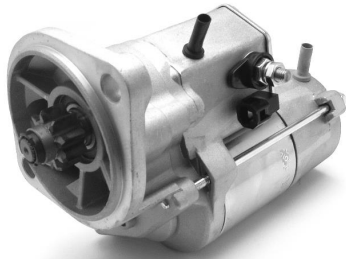
LES0329
12V / 2.0kW

CW / 9 Teeth
Used On: Chevrolet S10, S15 Pickup 2.2 1984->>
Isuzu Campo, Trooper & Pickup 2.0, 2.2 1984->>
Replaces: Denso 028000-7790, -7791, 128000-2880, -2881
Cummins 3675152RX Isuzu 5811001830, 8944489591

All non - Lucas Elektrik A. . numbers and names are for reference only.

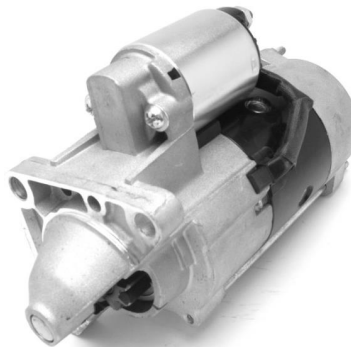
For further inquiries: e-mail:marketing@lucaselektrik.com Fax:+90 264 276 8771

www.lucaselektrik.com



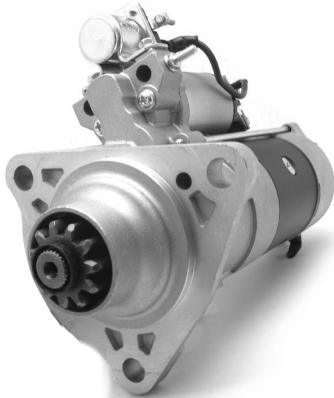
LES0330
12V / 2.0kW

CW / 9 Teeth
Used On: Isuzu TFR
Replaces: Denso 228000-8890
Isuzu 8-97941-023-0



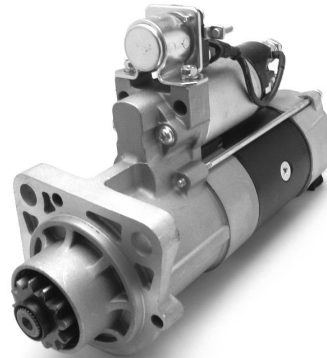
LES0331
12V / 2.2kW

CW / 12 Teeth
Used On: Mitsubishi L 200, L 300 &
L 400 2.5D, TDi 1986->>
Replaces: Mitsubishi M2T87071, -7971, -8271,
MD312857, -58, MD344182, MD348221



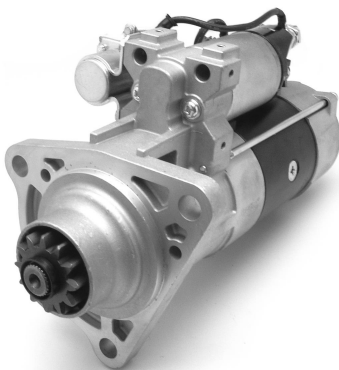
LES0332
24V / 5.5kW

CW / 11 Teeth
Used On: Renault Kerax & Premium 1997->>
Replaces: Mitsubishi M9T60471, M9T61571
Renault 5001853713, 5010306592, 5010480196,
5010508380



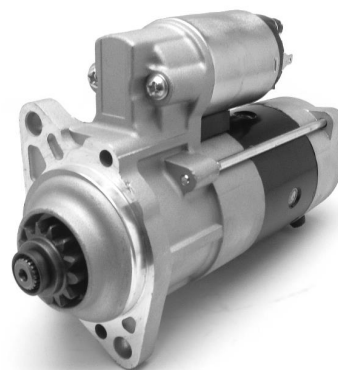
LES0333
24V / 5.5kW

CW / 12 Teeth
Used On: Renault IV, Kerax & Premium 1997-99
Replaces: Mitsubishi M9T60671
Renault 5010306777, 5830000632



LES0334
24V / 5.5kW

CW / 12 Teeth
Used On: Volvo FM 12 1993->>
Replaces: Mitsubishi M9T61171
Volvo 20430564, 85000087, 20431073



LES0335
12V / 2.0kW

CW / 13 Teeth
Used On: Mitsubishi Various Applications
Replaces: Mitsubishi 31A66-00101, -00102, M1T68281,
M8T70471

All non - Lucas Elektrik A. . numbers and names are for reference only.

For further inquiries: e-mail:marketing@lucaselektrik.com Fax:+90 264 276 8771

www.lucaselektrik.com